

ST SA Flip II 65"

Item no.: 5788

Mobile stand system display specific for Samsung WM65R and WM65B

Fix ideas, professional brainstorming, record and share results. With the ST SA Flip II 65" you can fully exhaust the potential of the Samsung WM65R and WM65B.

The mobile stand system allows the digital flipchart to be rotated from portrait to landscape format and vice versa at any time. Thanks to the ingenious spring mechanism, rotation is possible with almost no effort.

The mount engages in the desired end position and can be set in motion again almost effortlessly without the need for unlocking.

In addition, the holder can be inclined by $0^\circ / \pm 2,5^\circ / \pm 5^\circ$ - the inclination levels can be adjusted on the assembly side.

The system can be moved easily and safely from room to room thanks to the high quality castors attached to the stand system. The castors with lock-type brake also ensure a safe stand at the desired place.

The included shelf can be used optionally and can be mounted in 2 positions. It offers a practical storage place below the Samsung Flip.

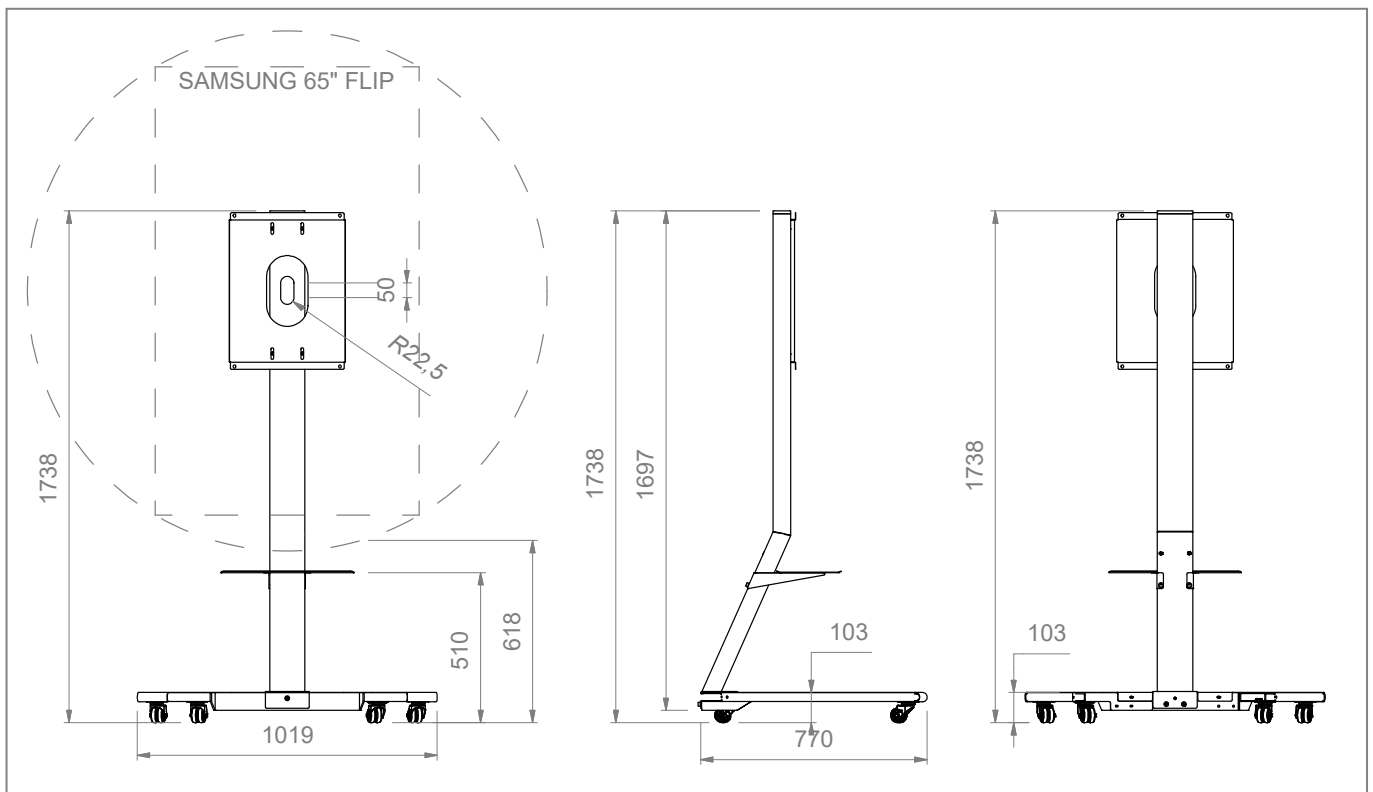


ST SA Flip II 65"

Item no.: 5788

Mobile stand system display specific for Samsung WM65R and WM65B

- display specific for Samsung WM65R and WM65B
- freely rotatable by -90°
- VESA 200 x 200 | 300 x 300 | 400 x 400 mm
- landscape to portrait format and vice versa
- little effort needed thanks to spring mechanism
- locks in final position
- release from end position without locking
- tilting possible with tools (0° / ±2,5° / ±5°)
- cable routing inside the column
- colour: white (similar to Samsung Flip series)
- concealed castor set, 2 castors lockable
- incl. optionally usable shelf, electively mountable in 2 positions
- height incl. castor set: 1738 mm
- floor space required: width 1019 x depth 770 mm
- 45 kg max. load



incl. castor set, partially lockable



incl. shelf, optionally usable

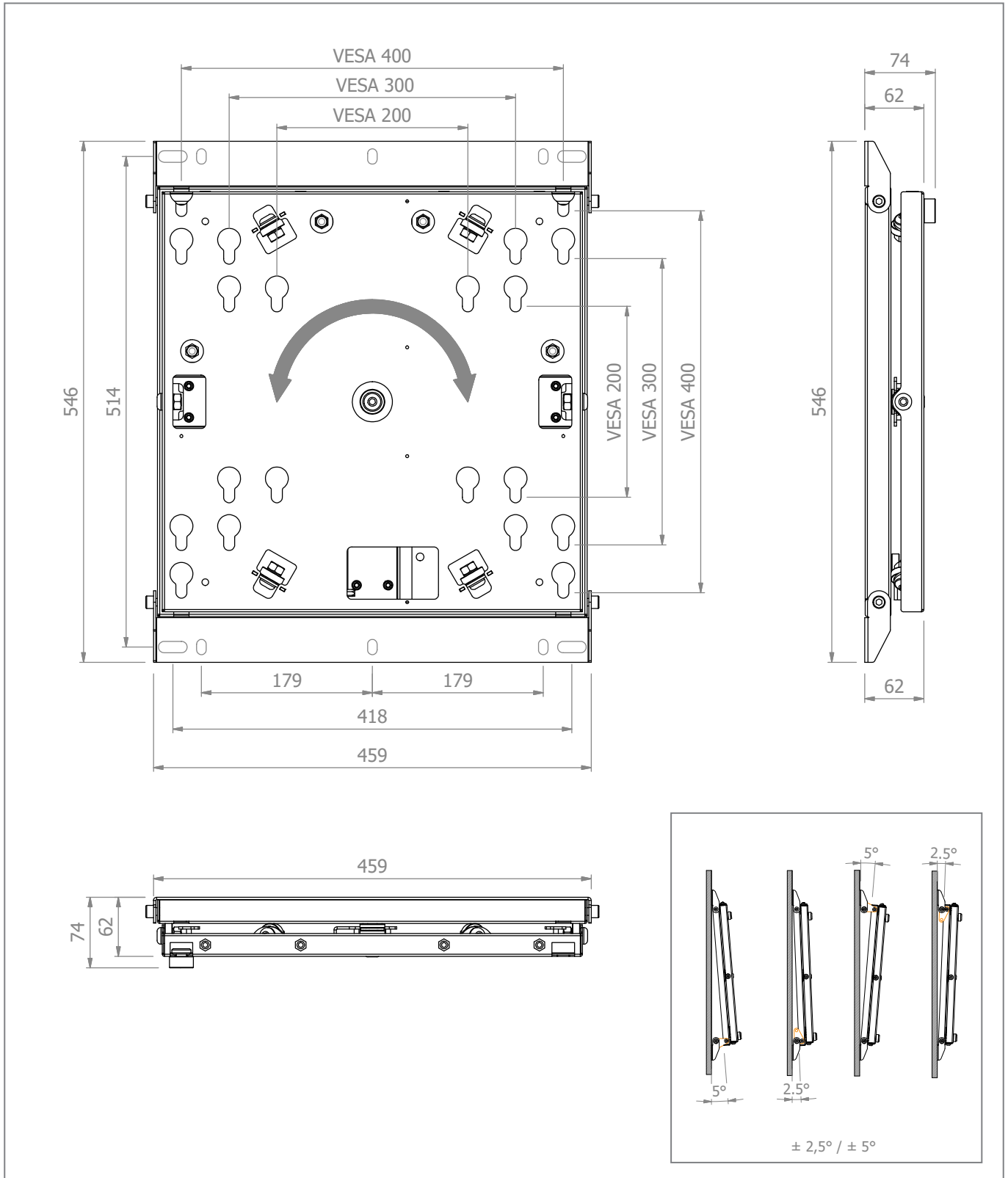


change the format without unlocking

ST SA Flip II 65"

Item no.: 5788

Mobile stand system display specific for Samsung WM65R and WM65B



Technical changes reserved | This document is the property of HAGOR Products GmbH. Forwarding and duplication of this document, utilization and communication of its contents are not permitted unless expressly permitted. A violation obliges you to pay compensation. All rights reserved in the event of a patent, utility model or design registration.

ST SA Flip II 65"

Item no.: 5788

Mobile stand system display specific for Samsung WM65R and WM65B

